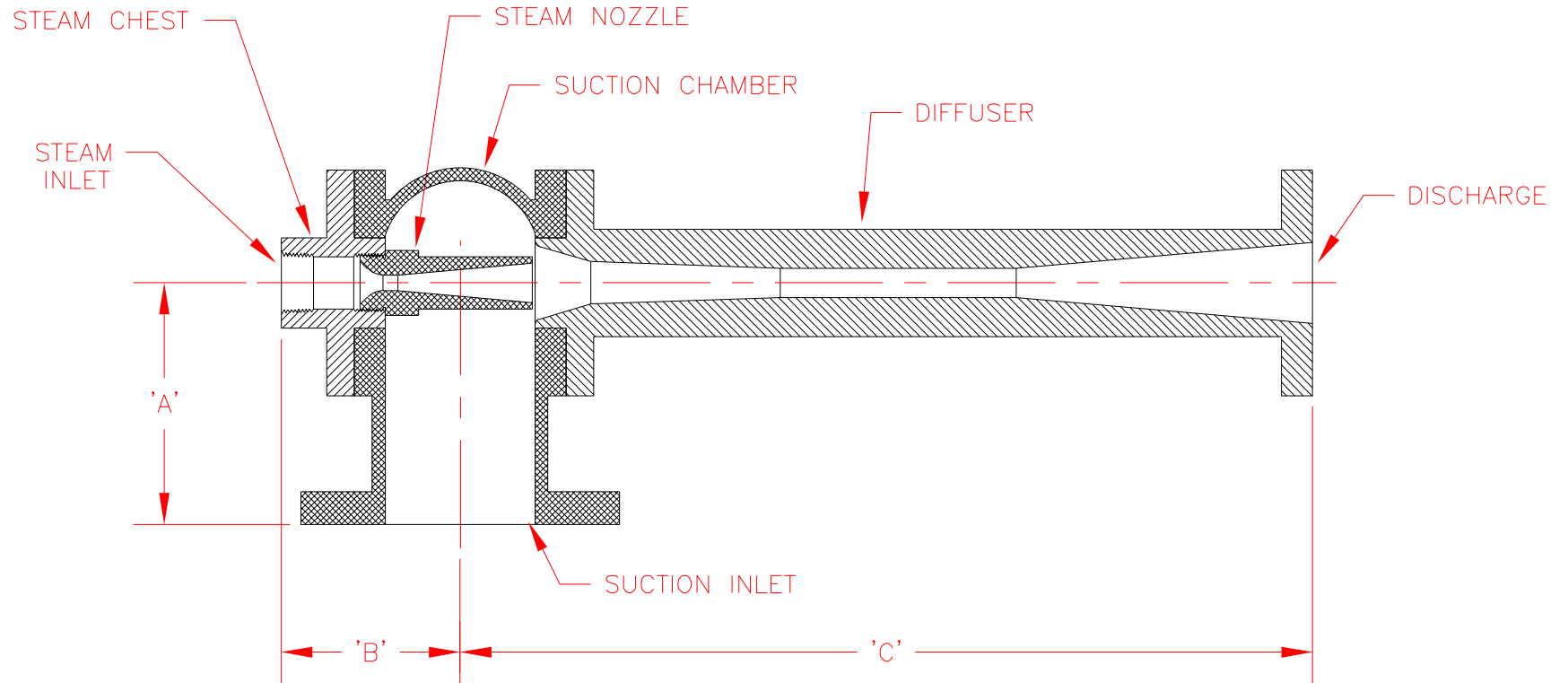


FLANGE BOLTHOLES STRADDLE CENTERLINES



MODEL	CONNECTIONS			DIMENSIONS		
	STEAM	SUCTION	DISCHARGE	'A'	'B'	'C'
TGK2-TGK5	3/4" NPT	2" FLG.	2" FLG.	4-3/4"	3-3/4"	15-3/4"
TGK6-TGK7	3/4" NPT	2" FLG.	2" FLG.	4-3/4"	3-3/4"	19-1/8"
TGK8-TGK9	1" NPT	3" FLG.	2" FLG.	4-3/4"	4-1/2"	19-5/8"
TGK10-TGK12	1" NPT	3" FLG.	3" FLG.	4-3/4"	4-1/2"	28"
TGK13-TGK16	1-1/2" NPT	4" FLG.	4" FLG.	5-1/2"	6-1/2"	39-3/4"

FLANGES FOR CAST UNITS ARE 150# ANSI FLAT FACE
 FLANGES FOR BAR-STOCK UNITS ARE 150# ANSI RAISED FACE

DIMENSIONS AND SPECIFICATIONS ARE SUBJECT TO CHANGE WITHOUT NOTICE

PRELIMINARY
 DO NOT SCALE

NO.	DATE	REVISION	BY
ELMRIDGE TORONTO, ONTARIO CANADA LIVONIA, MICHIGAN USA			
PROJECT :		Steam-Jet Ejectors	
PART :		TGK Series Dimensions	
MATERIAL :			QTY.:
UNLESS OTHERWISE SPECIFIED, GENERAL TOLERANCES:		SCALE : NONE	RELEASE DATE :
x/x = ± 1/32"		DRAWN BY : S.D.B.	DATE : 11/4/95
.xx = ± .010		APPROVED BY :	DATE :
.xxx = ± .002			
DEG. = ± 1/2°			
NOTE :		TGK-D	DRAWING NUMBER 983 - A REV.NO. 1.0