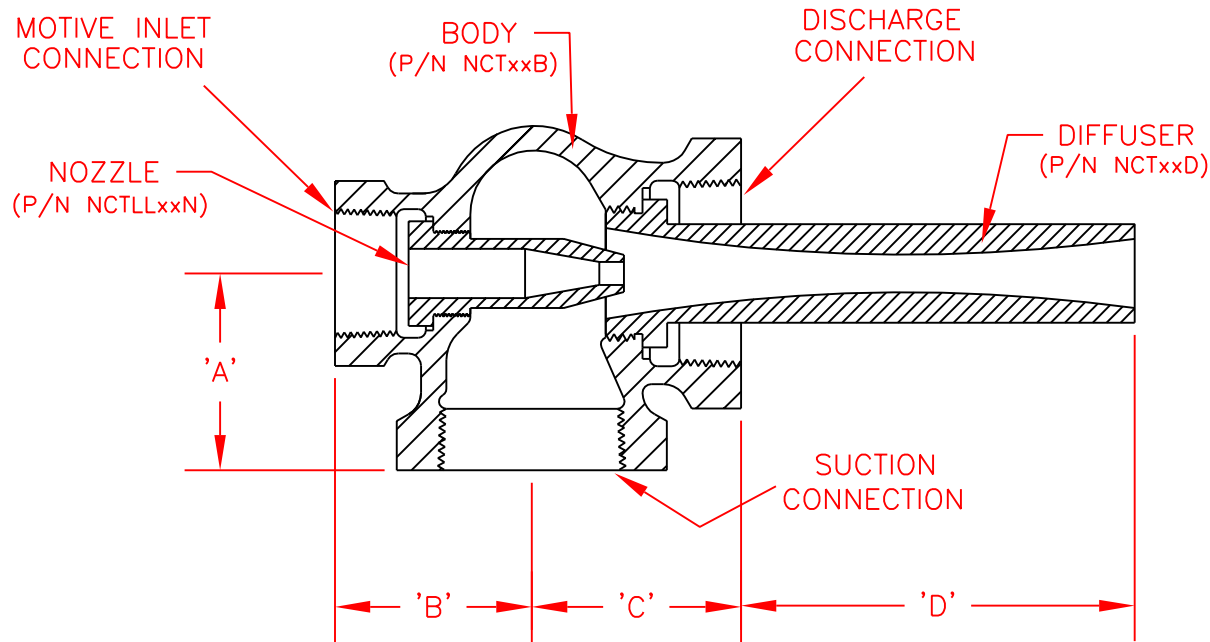



NOTE: NBTLL & NCTLL EDUCATORS HAVE THE SAME OPERATING CHARACTERISTICS



P/N NCTLLxxN WHERE 'xx' IS THE MODEL SIZE (IE. NCTLL8N NOZZLE)

CAPACITY FACTOR	MODEL	DIM. A	DIM. B	DIM. C	DIM. D	PRESSURE CONNECTION	SUCTION & DISCHARGE CONNECTION
0.027	NCTLL00	1-1/4"	1-1/4"	1-1/2"	7/8"	3/8" NPT	1/2" NPT
0.050	NCTLL0	1-1/4"	1-1/4"	1-1/2"	1-1/8"	3/8" NPT	1/2" NPT
0.091	NCTLL1	1-1/4"	1-1/4"	1-1/2"	1-1/16"	3/8" NPT	1/2" NPT
0.165	NCTLL2	1-3/8"	1-7/16"	1-1/2"	1-7/8"	1/2" NPT	3/4" NPT
0.30	NCTLL3	1-1/2"	1-9/16"	1-11/16"	2-3/4"	3/4" NPT	1" NPT
0.55	NCTLL4	2"	2"	2-1/8"	4-1/16"	1" NPT	1-1/2" NPT
1.00	NCTLL5	2"	2"	2-1/8"	5-3/4"	1" NPT	1-1/2" NPT
1.80	NCTLL6	2-1/2"	2-3/8"	2-3/4"	7-7/8"	1-1/2" NPT	2" NPT
3.24	NCTLL7	3-1/2"	3-1/8"	3-3/4"	11-1/16"	2" NPT	3" NPT
4.30	NCTLL8	3-1/2"	3-1/8"	3-3/4"	12"	2" NPT	3" NPT
5.71	NCTLL9	4-1/2"	4"	4-13/16"	13-5/8"	3" NPT	4" NPT
7.57	NCTLL10	4-1/2"	4"	4-13/16"	16-1/8"	3" NPT	4" NPT

DIMENSIONS AND SPECIFICATIONS ARE SUBJECT TO CHANGE WITHOUT NOTICE

NO.	DATE	REVISION	BY
 TORONTO, ONTARIO CANADA LIVONIA, MICHIGAN USA			
PROJECT : <b>Liqui-Jet Educators</b>			
PART : <b>NCTLL Dimensions</b>			
MATERIAL :			QTY.:
UNLESS OTHERWISE SPECIFIED, GENERAL TOLERANCES: x/x = ± 1/32" xx = ± .010 xxx = ± .002 DEG. = ± 1/2°		SCALE : <b>None</b>	RELEASE DATE :
		DRAWN BY : <b>S.D.B.</b>	DATE : <b>8/4/95</b>
		APPROVED BY :	DATE :
NOTE :		DRAWING NUMBER <b>1814 - A</b>	REV.NO. <b>1.0</b>
<b>NCTLL-B-D</b>			