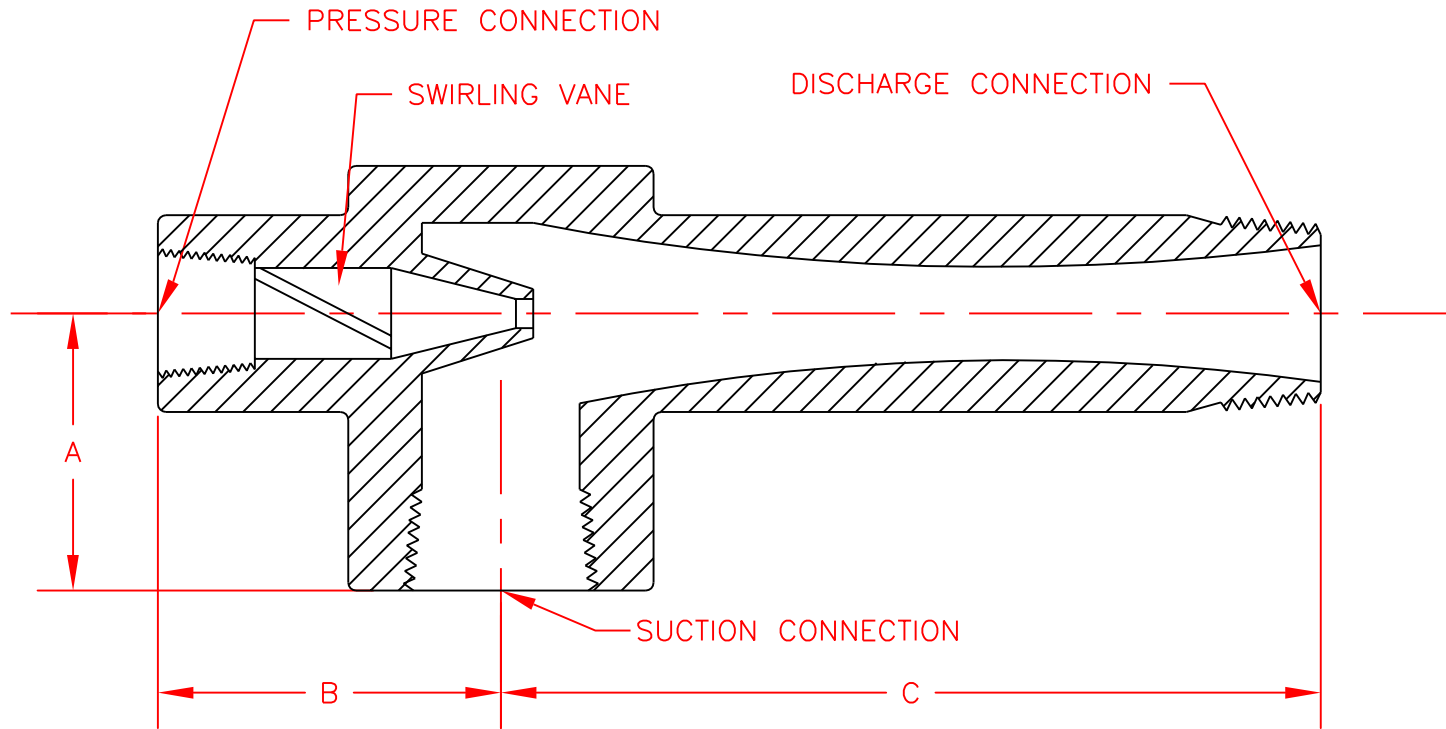


NOTE: NBTLGT & NCTLGT EXHAUSTERS HAVE THE SAME OPERATING CHARACTERISTICS



CAPACITY FACTOR	MODEL	DIM. A	DIM. B	DIM. C	PRESSURE CONNECTION	SUCTION & DISCHARGE CONNECTION
0.091	NBTLGT1	1-1/4"	1-1/2"	3-5/16"	3/8" NPT	1/2" NPT
0.165	NBTLGT2	1-3/8"	1-7/16"	4"	1/2" NPT	3/4" NPT
0.30	NBTLGT3	1-3/4"	1-7/8"	5-1/4"	3/4" NPT	1" NPT
0.55	NBTLGT4	2"	1-15/16"	7-1/16"	1" NPT	1-1/2" NPT
1.00	NBTLGT5	2"	2"	9-3/8"	1" NPT	1-1/2" NPT
1.80	NBTLGT6	3"	3-1/4"	12-3/4"	1-1/2" NPT	2" NPT
3.24	NBTLGT7	3-1/2"	4-3/4"	17-1/2"	2" NPT	2-1/2" NPT
4.30	NBTLGT8	4"	5"	19-1/8"	2" NPT	3" NPT
5.71	NBTLGT9	4"	5"	22"	2" NPT	3" NPT
7.57	NBTLGT10	5-1/8"	5"	25-3/8"	3" NPT	4" NPT
10.1	NBTLGT11	5-1/8"	5"	29-1/8"	3" NPT	4" NPT

DIMENSIONS AND SPECIFICATIONS ARE SUBJECT TO CHANGE WITHOUT NOTICE

PRELIMINARY
DO NOT SCALE

NO.	DATE	REVISION	BY
		TORONTO, ONTARIO CANADA LIVONIA, MICHIGAN USA	
PROJECT: Liqui-Jet Exhausters			
PART: NBTLGT Dimensions - Welded Style			
MATERIAL:			QTY.:
UNLESS OTHERWISE SPECIFIED, GENERAL TOLERANCES: X/X = ± 1/32" XX = ± .010 XXX = ± .002 DEG. = ± 1/2°		SCALE: NONE	RELEASE DATE:
		DRAWN BY: B.W.	DATE: 7/18/95
		APPROVED BY:	DATE:
NOTE: TLGT-NBTLGT-MD		DRAWING NUMBER 1449 -A	REV.NO. 1.2