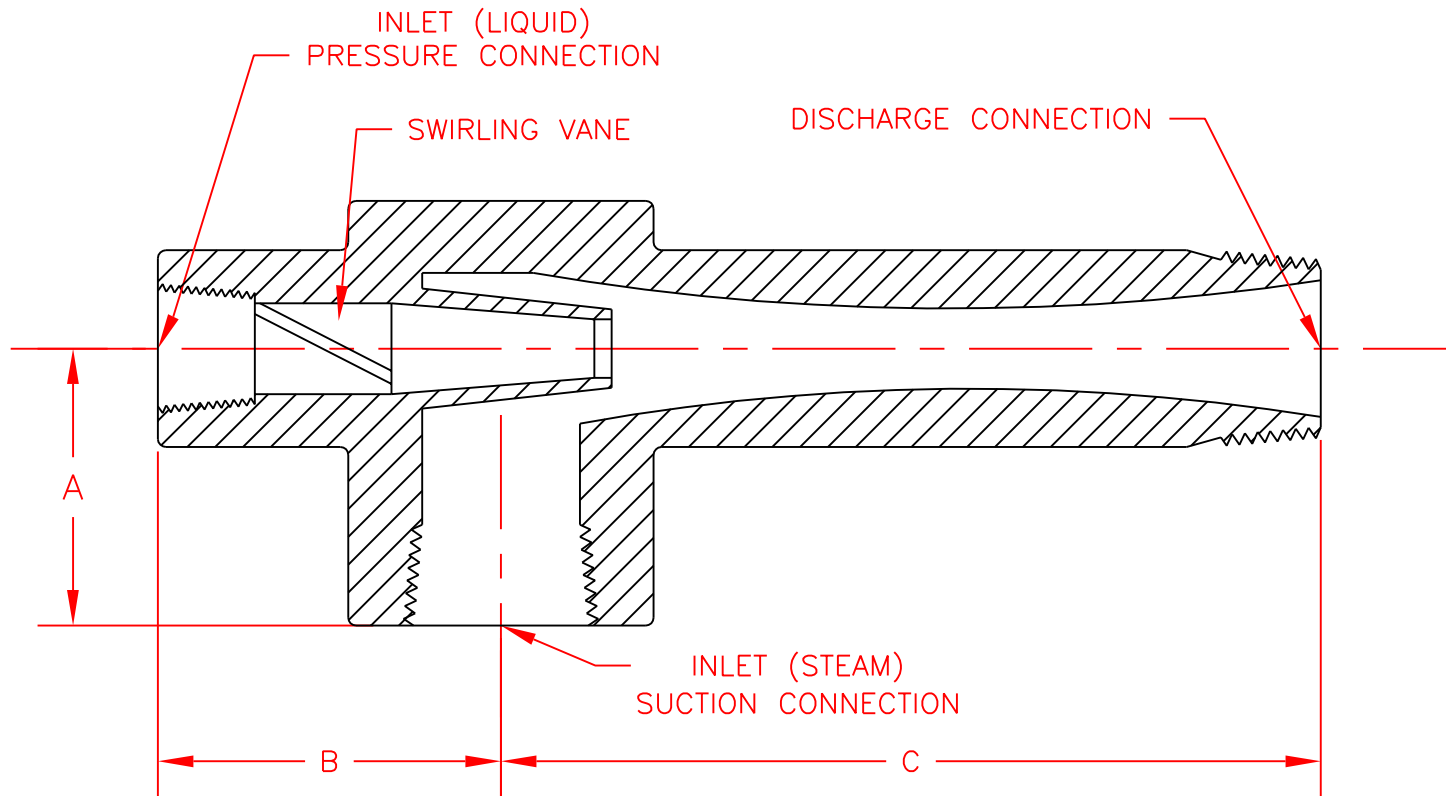


NOTE: NBTLH & NCTLH LINE-TYPE HEATERS HAVE THE SAME OPERATING CHARACTERISTICS



CAPACITY FACTOR	MODEL	DIM. A	DIM. B	DIM. C	PRESSURE CONNECTION	SUCTION & DISCHARGE CONNECTION
0.091	NBTLH1	1-1/4"	1-1/2"	3-5/16"	3/8" NPT	1/2" NPT
0.165	NBTLH2	1-3/8"	1-7/16"	4"	1/2" NPT	3/4" NPT
0.30	NBTLH3	1-3/4"	1-7/8"	5-1/4"	3/4" NPT	1" NPT
0.55	NBTLH4	2"	1-15/16"	7-1/16"	1" NPT	1-1/2" NPT
1.00	NBTLH5	2"	2"	9-3/8"	1" NPT	1-1/2" NPT
1.80	NBTLH6	3"	3-1/4"	12-3/4"	1-1/2" NPT	2" NPT
3.24	NBTLH7	3-1/2"	4-3/4"	17-1/2"	2" NPT	2-1/2" NPT
4.30	NBTLH8	4"	5"	19-1/8"	2" NPT	3" NPT
5.71	NBTLH9	4"	5"	22"	2" NPT	3" NPT
7.57	NBTLH10	5-1/4"	10-1/2"	25"	3" NPT	4" NPT
10.1	NBTLH11	5-1/4"	10-1/2"	28"	3" NPT	4" NPT

DIMENSIONS AND SPECIFICATIONS ARE SUBJECT TO CHANGE WITHOUT NOTICE

PRELIMINARY

DO NOT SCALE

NO.	DATE	REVISION	BY
PROJECT :		Liqui-Jet Line-Type Heaters	
PART :		NBTLH Dimensions	
MATERIAL :			QTY.:
UNLESS OTHERWISE SPECIFIED, GENERAL TOLERANCES:		SCALE : NONE	RELEASE DATE :
X/X = ± 1/32"		DRAWN BY : S.D.B.	DATE : 7/18/95
XX = ± .010		APPROVED BY :	DATE :
XXX = ± .002			
DEG. = ± 1/2°			
NOTE :		DRAWING NUMBER	REV.NO.
		1517 -A	1.2