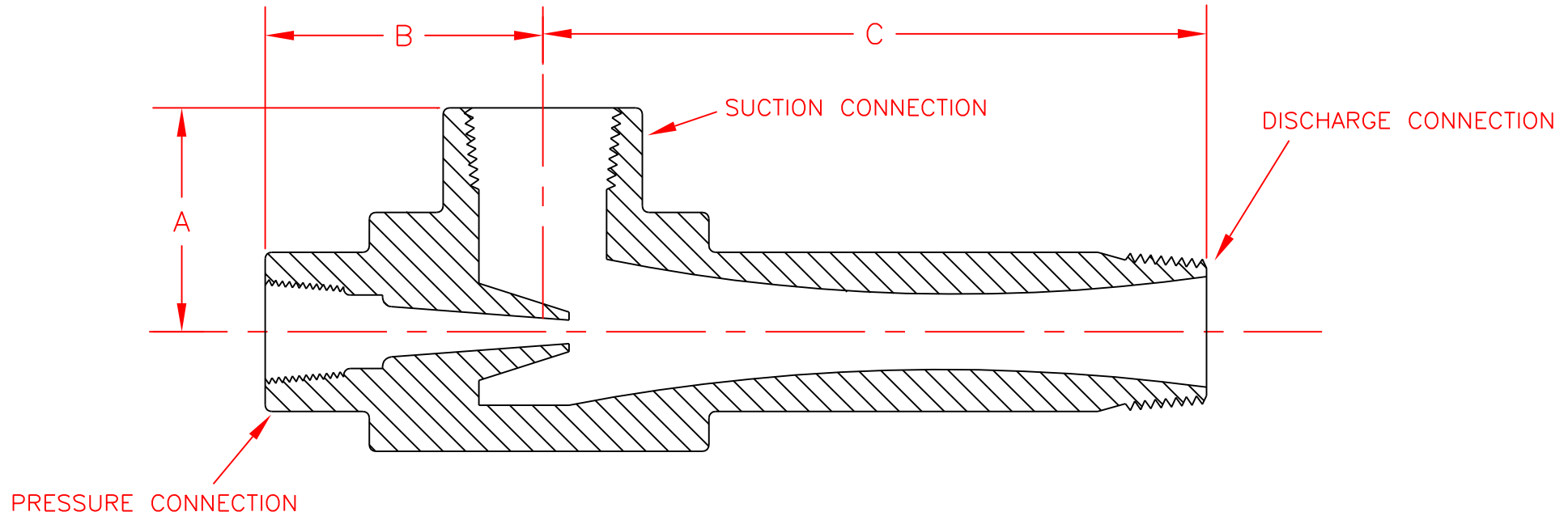


NOTE: NBLST & NCTLST EDUCTORS HAVE THE SAME OPERATING CHARACTERISTICS



CAPACITY FACTOR	MODEL	DIM. A	DIM. B	DIM. C	PRESSURE CONNECTION	SUCTION & DISCHARGE CONNECTION
0.027	NBLST00	15/16"	2"	2-3/8"	3/8" NPT	3/8" NPT
0.050	NBLST0	15/16"	2-13/16"	2-5/8"	3/8" NPT	3/8" NPT
0.091	NBLST1	1-3/8"	2-15/16"	2-3/4"	3/8" NPT	1/2" NPT
0.165	NBLST2	1-3/4"	2-11/16"	3-3/8"	1/2" NPT	3/4" NPT
0.30	NBLST3	1-7/8"	2-7/8"	4-1/2"	3/4" NPT	1" NPT
0.55	NBLST4	2-7/16"	3-7/8"	6-3/16"	1" NPT	1-1/2" NPT
1.00	NBLST5	2-7/16"	3-13/16"	8"	1" NPT	1-1/2" NPT
1.80	NBLST6	2-3/4"	4-1/8"	10-3/4"	1-1/2" NPT	2" NPT
3.24	NBLST7	3-5/16"	4-11/16"	14-1/2"	2" NPT	2-1/2" NPT
4.30	NBLST8	3-3/4"	6"	16"	2" NPT	3" NPT
5.71	NBLST9	4-5/8"	6"	18-7/8"	3" NPT	4" NPT
7.57	NBLST10	4-5/8"	6"	21-5/8"	3" NPT	4" NPT

DIMENSIONS AND SPECIFICATIONS ARE SUBJECT TO CHANGE WITHOUT NOTICE

NO.	DATE	REVISION	BY
TORONTO, ONTARIO CANADA LIVONIA, MICHIGAN USA			
PROJECT : <b>Liqui-Jet Solids Eductors</b>			
PART : <b>NBLST Dimensions - Plastic</b>			
MATERIAL :			QTY.:
UNLESS OTHERWISE SPECIFIED, GENERAL TOLERANCES: X/X = ± 1/32" XX = ± .010 XXX = ± .002 DEG. = ± 1/2°		SCALE : <b>None</b>	RELEASE DATE :
		DRAWN BY : <b>B.W.</b>	DATE : <b>5/11/95</b>
		APPROVED BY :	DATE :
NOTE :		DRAWING NUMBER <b>1229 -A</b>	REV.NO. <b>1.0</b>
<b>TLS-NBLST-V-D</b>			