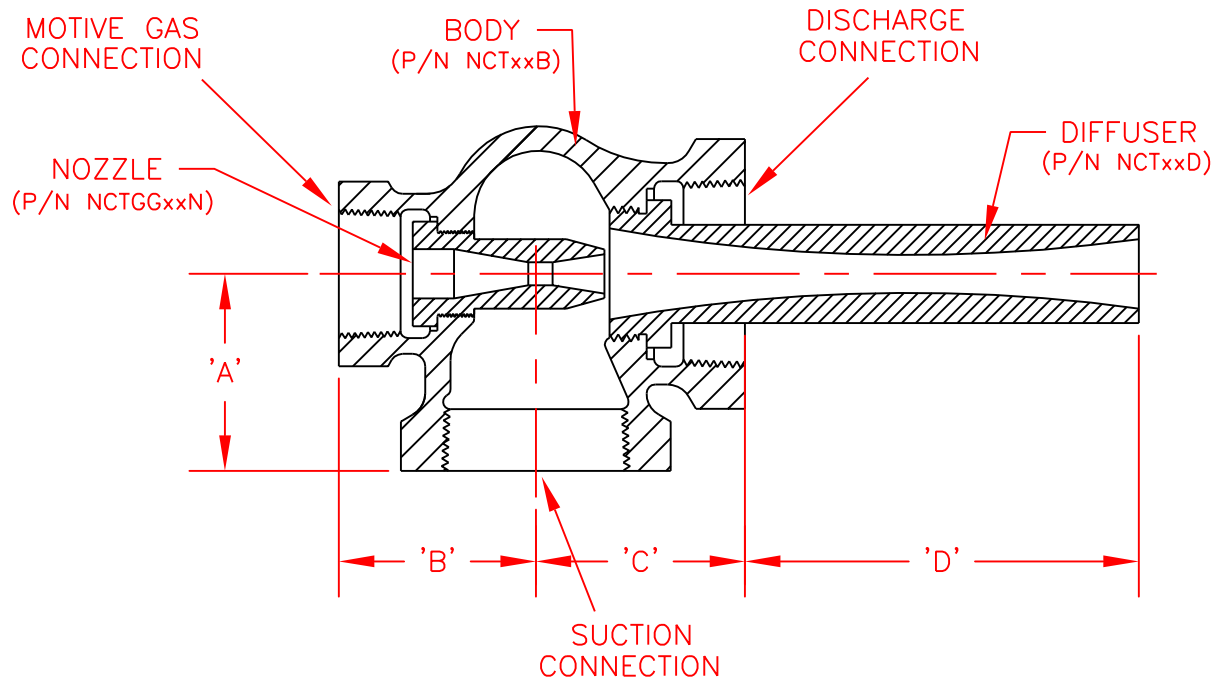


NOTE: NBTGG AND NCTGG GAS-JET EJECTORS HAVE THE SAME OPERATING CHARACTERISTICS



P/N NCTGGxxN WHERE 'xx' IS THE MODEL SIZE (IE. NCTGG8N NOZZLE)

CAPACITY FACTOR	MODEL	DIM. A	DIM. B	DIM. C	DIM. D	PRESSURE CONNECTION	SUCTION & DISCHARGE CONNECTION
0.027	NCTGG00	1-1/4"	1-1/4"	1-1/2"	5/16"	3/8" NPT	1/2" NPT
0.050	NCTGG0	1-1/4"	1-1/4"	1-1/2"	5/8"	3/8" NPT	1/2" NPT
0.091	NCTGG1	1-1/4"	1-1/4"	1-1/2"	1-1/16"	3/8" NPT	1/2" NPT
0.165	NCTGG2	1-3/8"	1-7/16"	1-1/2"	1-7/8"	1/2" NPT	3/4" NPT
0.30	NCTGG3	1-1/2"	1-9/16"	1-11/16"	2-3/4"	3/4" NPT	1" NPT
0.55	NCTGG4	2"	2"	2-1/8"	4-1/16"	1" NPT	1-1/2" NPT
1.00	NCTGG5	2"	2"	2-1/8"	5-3/4"	1" NPT	1-1/2" NPT
1.80	NCTGG6	2-1/2"	2-3/8"	2-3/4"	7-7/8"	1-1/2" NPT	2" NPT
3.24	NCTGG7	3-1/2"	3-1/8"	3-3/4"	10"	2" NPT	3" NPT
4.30	NCTGG8	3-1/2"	3-1/8"	3-3/4"	12"	2" NPT	3" NPT
5.71	NCTGG9	4-1/2"	4"	4-13/16"	13-5/8"	3" NPT	4" NPT
7.57	NCTGG10	4-1/2"	4"	4-13/16"	16-1/8"	3" NPT	4" NPT

DIMENSIONS AND SPECIFICATIONS ARE SUBJECT TO CHANGE WITHOUT NOTICE

NO.	DATE	REVISION	BY
PROJECT :		Gas-Jet Ejectors	
PART :		NCTGG Dimensions	
MATERIAL :			QTY.:
<small>UNLESS OTHERWISE SPECIFIED, GENERAL TOLERANCES:</small> x/x = ± 1/32" xx = ± .010 xxx = ± .002 DEG. = ± 1/2°		SCALE : None	RELEASE DATE :
		DRAWN BY : S.D.B.	DATE : 8/4/95
		APPROVED BY :	DATE :
NOTE :		DRAWING NUMBER	REV.NO.
NCTGG-B-D		984 - A	1.2