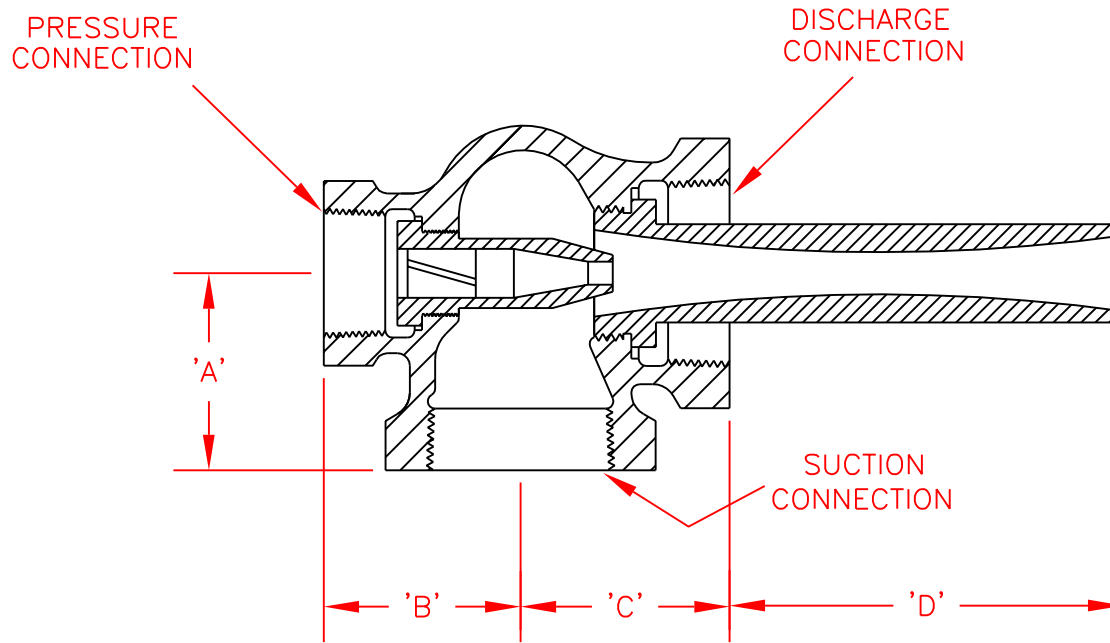


NOTE: NBTLGT & NCTLGT EXHAUSTERS HAVE THE SAME OPERATING CHARACTERISTICS



CAPACITY FACTOR	MODEL	DIM. A	DIM. B	DIM. C	DIM. D	PRESSURE CONNECTION	SUCTION & DISCHARGE CONNECTION
0.091	NCTLGT1	1-1/4"	1-1/4"	1-1/2"	1-5/16"	3/8" NPT	1/2" NPT
0.165	NCTLGT2	1-3/8"	1-7/16"	1-1/2"	2-7/8"	1/2" NPT	3/4" NPT
0.30	NCTLGT3	1-1/2"	1-9/16"	1-11/16"	3-7/16"	3/4" NPT	1" NPT
0.55	NCTLGT4	2"	2"	2-1/8"	5"	1" NPT	1-1/2" NPT
1.00	NCTLGT5	2"	2"	2-1/8"	7-1/8"	1" NPT	1-1/2" NPT
1.80	NCTLGT6	2-1/2"	2-3/8"	2-3/4"	9-5/8"	1-1/2" NPT	2" NPT
3.24	NCTLGT7	3-1/2"	3-1/8"	3-3/4"	13-1/8"	2" NPT	3" NPT
4.30	NCTLGT8	3-1/2"	3-1/8"	3-3/4"	15-1/2"	2" NPT	3" NPT
5.71	NCTLGT9	4-1/2"	4"	4-13/16"	17-3/4"	3" NPT	4" NPT
7.57	NCTLGT10	4-1/2"	4"	4-13/16"	20-9/16"	3" NPT	4" NPT

NOTE: UNIT SHOULD BE MOUNTED VERTICALLY WITH THE DISCHARGE POINTING DOWNWARDS

DIMENSIONS AND SPECIFICATIONS ARE SUBJECT TO CHANGE WITHOUT NOTICE

NO.	DATE	REVISION	BY
PROJECT :		TORONTO, ONTARIO CANADA LIVONIA, MICHIGAN USA	
PART :		Liqui-Jet Exhausters	
MATERIAL :		NCTLGT Dimensions	
UNLESS OTHERWISE SPECIFIED, GENERAL TOLERANCES:		SCALE : None	RELEASE DATE :
X/X = ± 1/32"		DRAWN BY : B.W.	DATE : 8/4/95
XX = ± .010		APPROVED BY :	DATE :
XXX = ± .002		NOTE : NCTLGT-B-D	
DEG. = ± 1/2°		DRAWING NUMBER	REV.NO.
		1969 - A	1.0