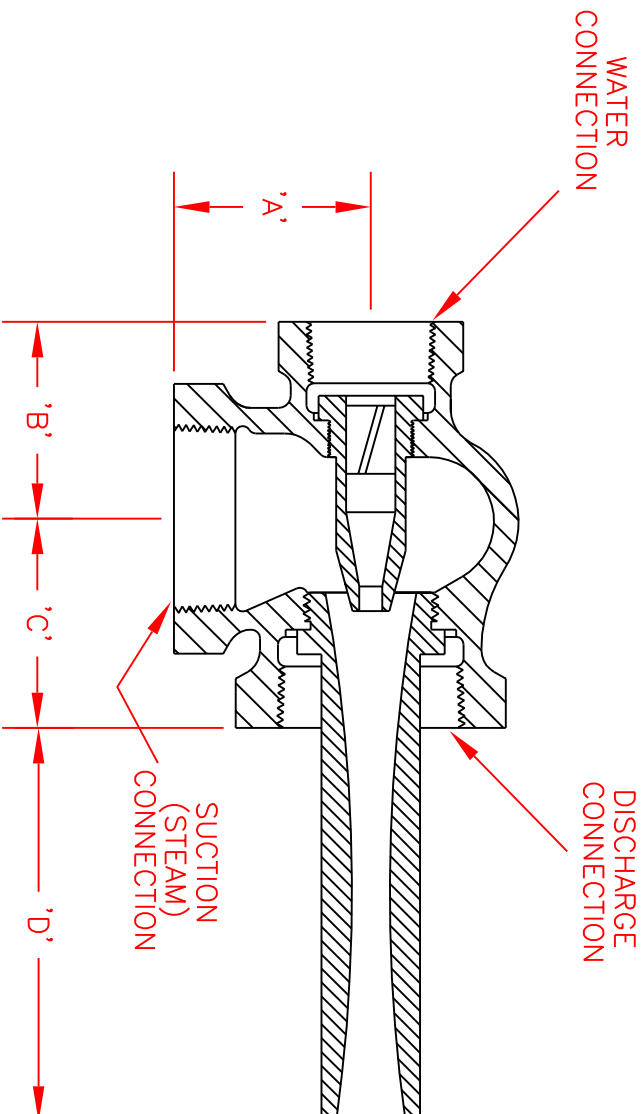



NOTE: NBTLH & NCTLH LINE HEATERS HAVE THE SAME OPERATING CHARACTERISTICS



CAPACITY FACTOR	MODEL	DIM. A	DIM. B	DIM. C	DIM. D	PRESSURE CONNECTION	SUCTION & DISCHARGE CONNECTION
0.091	NCTLH1	1-1/4"	1-1/4"	1-1/2"	1-5/16"	3/8" NPT	1/2" NPT
0.165	NCTLH2	1-3/8"	1-7/16"	1-1/2"	2-7/8"	1/2" NPT	3/4" NPT
0.30	NCTLH3	1-1/2"	1-9/16"	1-11/16"	3-7/16"	3/4" NPT	1" NPT
0.55	NCTLH4	2"	2"	2-1/8"	5"	1" NPT	1-1/2" NPT
1.00	NCTLH5	2"	2"	2-1/8"	7-1/8"	1" NPT	1-1/2" NPT
1.80	NCTLH6	2-1/2"	2-3/8"	2-3/4"	9-5/8"	1-1/2" NPT	2" NPT
2.64	NCTLH7	3-1/2"	3-1/8"	3-3/4"	13-1/8"	2" NPT	3" NPT
3.88	NCTLH8	3-1/2"	3-1/8"	3-3/4"	15-1/2"	2" NPT	3" NPT
5.71	NCTLH9	4-1/2"	4"	4-13/16"	17-3/4"	3" NPT	4" NPT
7.57	NCTLH10	4-1/2"	4"	4-13/16"	20-9/16"	3" NPT	4" NPT

DIMENSIONS AND SPECIFICATIONS ARE SUBJECT TO CHANGE WITHOUT NOTICE

NO.	DATE	REVISION	BY
 ELMRIDGE TORONTO, ONTARIO CANADA LIVONIA, MICHIGAN USA			
PROJECT : Liqui-Jet Line-Heaters			
PART : NCTLH Dimensions			
MATERIAL :			
QTY.:			
UNLESS OTHERWISE SPECIFIED, DIMENSIONAL TOLERANCES: X/A = ± 1/32 X/X = ± .010 DEC. = ± 1/2		SCALE : None	RELEASE DATE :
DRAWN BY : S.D.B.		DATE : 8/4/95	
APPROVED BY :		DATE :	
NOTE :	NCTLH-B-D		DRAWING NUMBER 1375
			REV.NO. 1.2