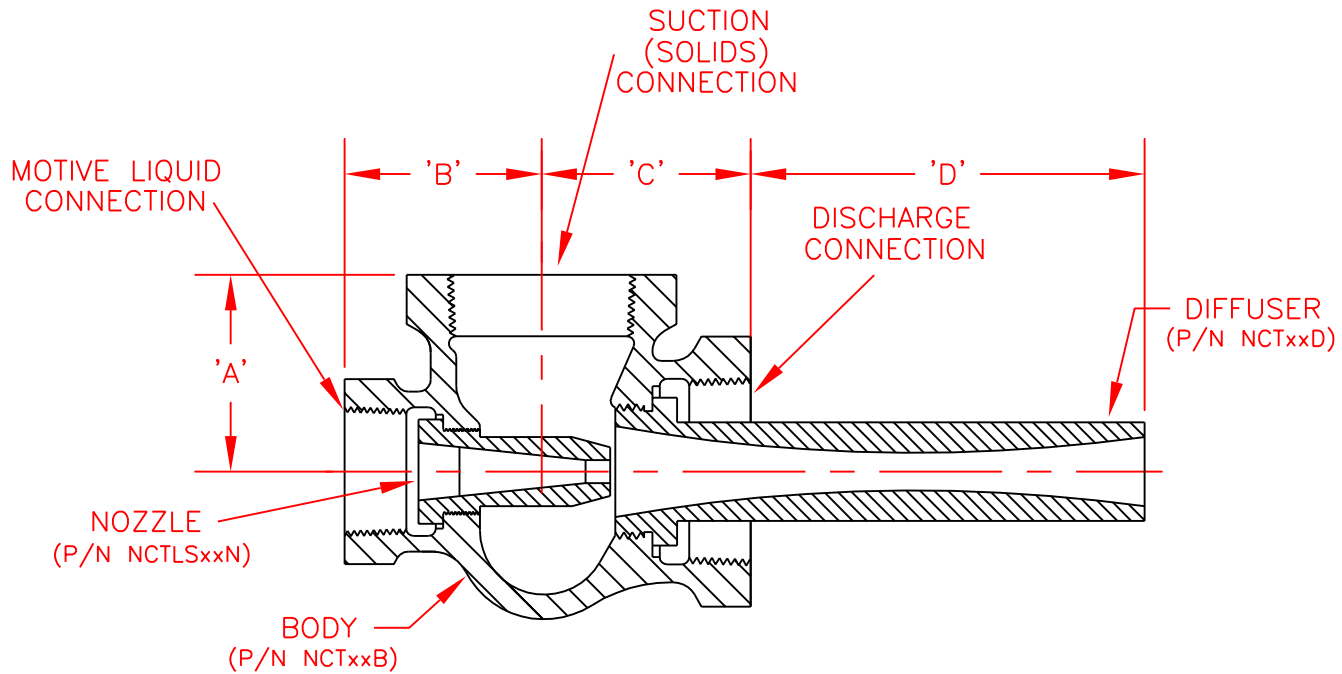



NOTE: NBTLS & NCTLS EDUCTORS HAVE THE SAME OPERATING CHARACTERISTICS



P/N NCTLSxxN WHERE 'xx' IS THE MODEL SIZE (IE. NCTLS8N NOZZLE)

CAPACITY FACTOR	MODEL	DIM. A	DIM. B	DIM. C	DIM. D	PRESSURE CONNECTION	SUCTION & DISCHARGE CONNECTION
0.091	NCTLS1	1-1/4"	1-1/4"	1-1/2"	1-5/16"	3/8" NPT	1/2" NPT
0.165	NCTLS2	1-3/8"	1-7/16"	1-1/2"	2-7/8"	1/2" NPT	3/4" NPT
0.30	NCTLS3	1-1/2"	1-9/16"	1-11/16"	3-7/16"	3/4" NPT	1" NPT
0.55	NCTLS4	2"	2"	2-1/8"	5"	1" NPT	1-1/2" NPT
1.00	NCTLS5	2"	2"	2-1/8"	7-1/8"	1" NPT	1-1/2" NPT
1.80	NCTLS6	2-1/2"	2-3/8"	2-3/4"	9-5/8"	1-1/2" NPT	2" NPT
3.24	NCTLS7	3-1/2"	3-1/8"	3-3/4"	13-1/8"	2" NPT	3" NPT
4.30	NCTLS8	3-1/2"	3-1/8"	3-3/4"	15-1/2"	2" NPT	3" NPT
5.71	NCTLS9	4-1/2"	4"	4-13/16"	13-5/8"	3" NPT	4" NPT
7.57	NCTLS10	4-1/2"	4"	4-13/16"	16-1/8"	3" NPT	4" NPT

PRELIMINARY
DO NOT SCALE

NO.	DATE	REVISION	BY
 TORONTO, ONTARIO CANADA LIVONIA, MICHIGAN USA			
PROJECT: Liqui-Jet Solids Eductors			
PART: NCTLS Dimensions			
MATERIAL:			QTY.:
UNLESS OTHERWISE SPECIFIED, GENERAL TOLERANCES: x/x = ± 1/32" .xx = ± .010 .xxx = ± .002 DEG. = ± 1/2°		SCALE: None	RELEASE DATE:
		DRAWN BY: B.W.	DATE: 8/4/95
		APPROVED BY:	DATE:
NOTE: NCTLS-D		DRAWING NUMBER 1836 - A	REV.NO. 1.1

DIMENSIONS AND SPECIFICATIONS ARE SUBJECT TO CHANGE WITHOUT NOTICE